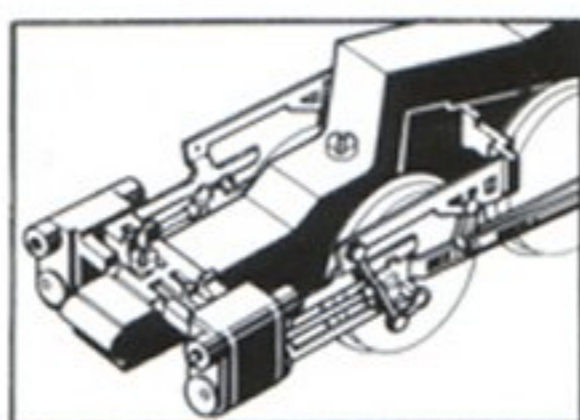


4-6-0 L.M.S. CLASS 5 LOCOMOTIVE – R.320 (Black) & R.842 (Red)

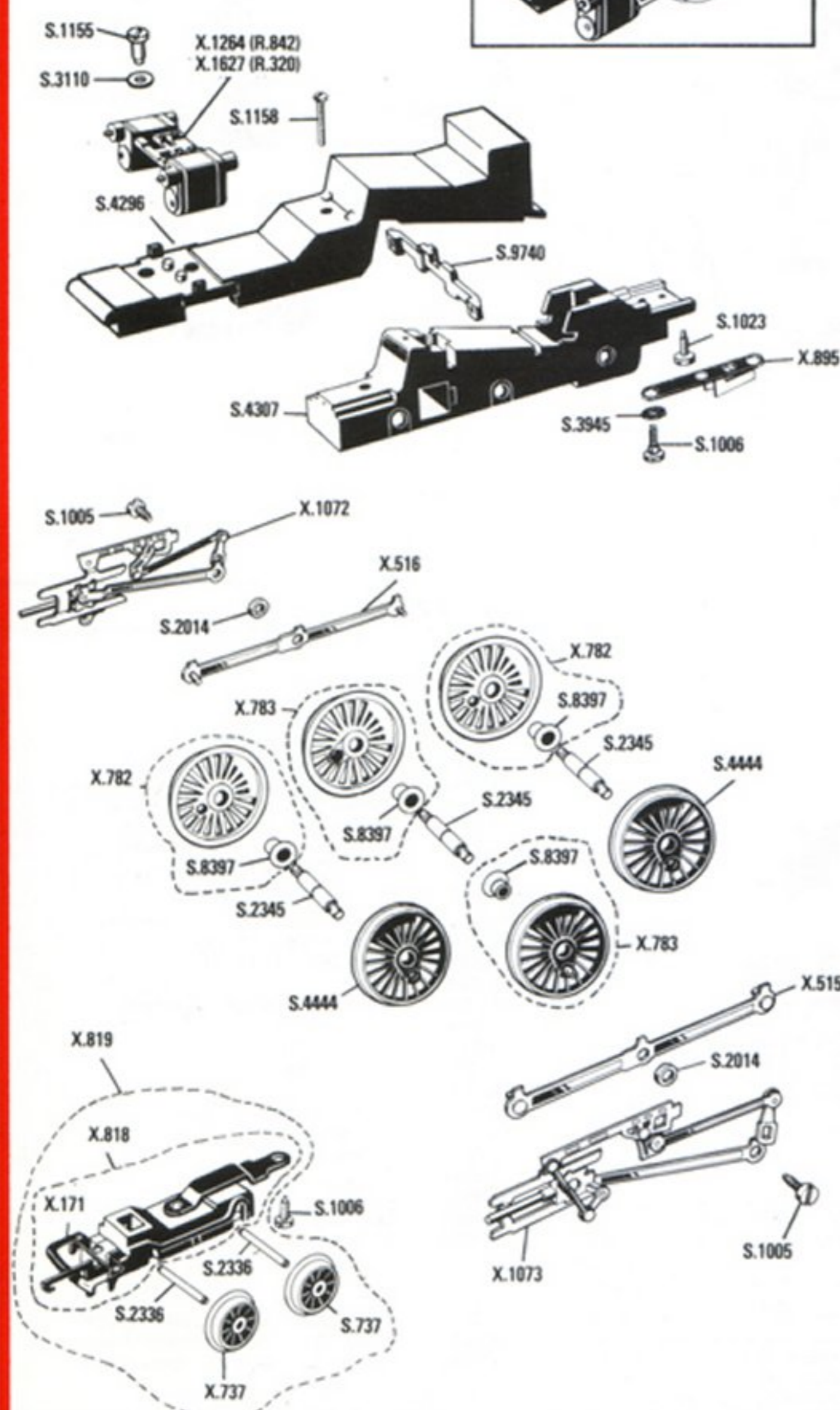
Most Locomotive parts also suitable for R.061, R.840 and R.859
See overleaf for Tender

View of Cylinder Block (X.1264) and Motion Bracket (S.9740) in position.



Powered by Tender Drive—see overleaf.

For lubricating instructions refer to the Hornby Locomotive Operation and Maintenance leaflet.



| List of Parts | |
|-----------------------|---------------------------------|
| Ref. No. | Item |
| X.171 | Coupling Unit |
| X.515 | L/H Coupling Rod |
| X.516 | R/H Coupling Rod |
| X.737 | Bogie Wheel |
| X.782 | Driving Wheel—Bushed |
| X.783 | Driving Wheel—Cranked |
| X.818 | Bogie Frame |
| X.819 | Bogie Assembly |
| X.895 | Drawbar Assembly |
| X.1072 | R/H Valve Gear Assembly |
| X.1073 | L/H Valve Gear Assembly |
| X.1264 | Cylinder Block Assembly (R.842) |
| X.1627 | Cylinder Block Assembly (R.320) |
| S.1005 | Screw—Valve Gear |
| S.1006 | Screw—Bogie |
| S.1023 | Screw—Body Fixing |
| S.1155 | Screw—Cylinder Block |
| S.1158 | Screw—Chassis Extension |
| S.2014 | Distance Piece |
| S.2336 | Bogie Axle |
| S.2345 | Driving Wheel Axle |
| S.3110 | Washer—Cylinder Block |
| S.3945 | Spring Washer—Drawbar |
| S.4296 | Chassis Extension |
| S.4307 | Chassis |
| S.4444 | Driving Wheel |
| S.8397 | Insulating Bush |
| S.9740 | Motion Bracket |
| Items not illustrated | |
| X.1029 | Body Assembly Complete (R.842) |
| X.1305 | Body Assembly Complete (R.320) |
| S.6390 | Fireman |
| S.6391 | Driver |
| S.8784 | Vacuum Pipe |
| S.8911 | Buffer—Round Head |
| S.9955 | Handrail with Stanchions |

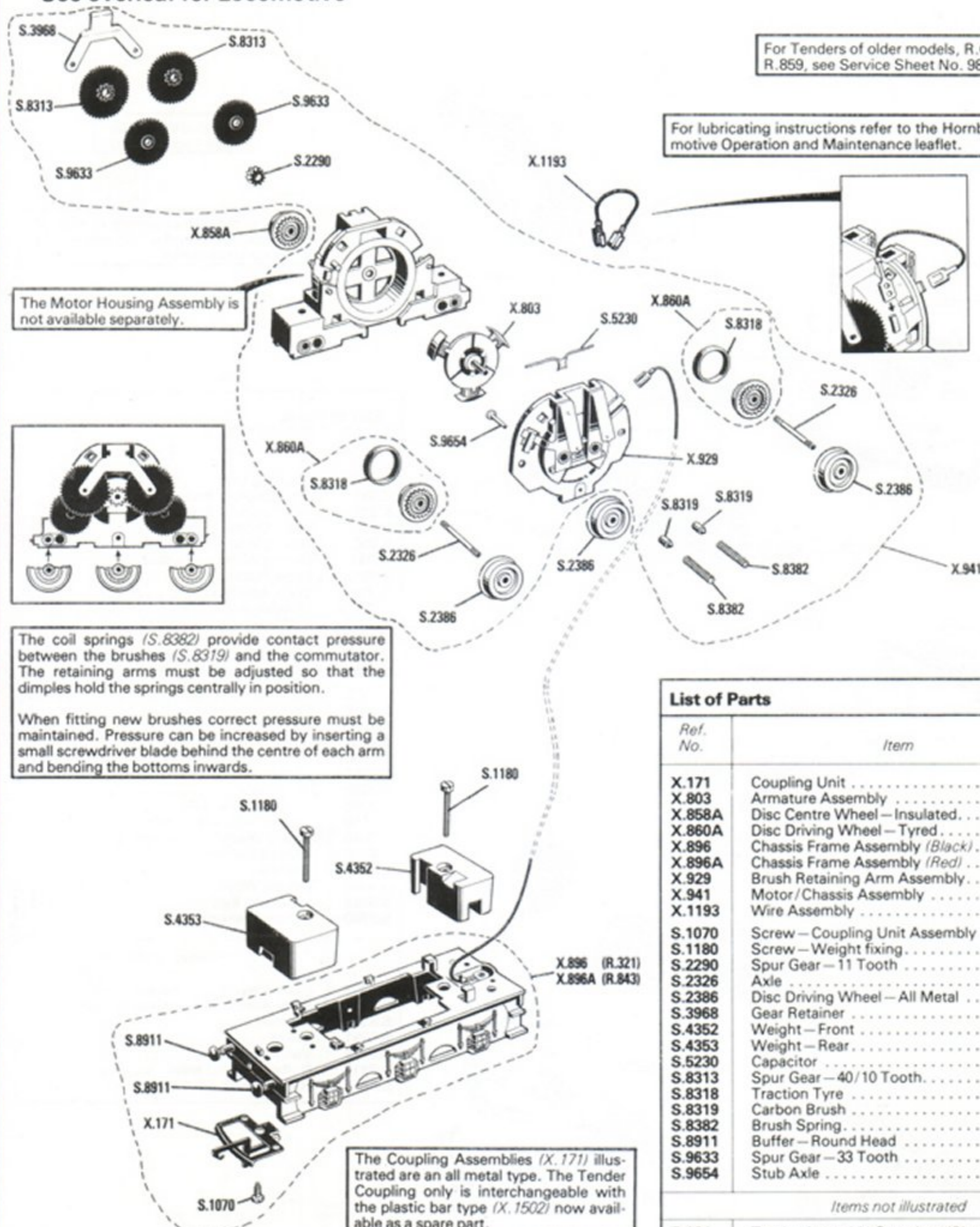
Modifications are made to models from time to time. If a spare part is required which does not coincide with the illustration, a full description should be given and, if necessary, a sketch or sample should accompany the order.

TENDERS R.321 (for R.320) & R.843 (for R.842)

Most Tender parts also suitable for use with R.840
See overleaf for Locomotive

For Tenders of older models, R.061 and R.859, see Service Sheet No. 98A.

For lubricating instructions refer to the Hornby Locomotive Operation and Maintenance leaflet.



| List of Parts | |
|-----------------------|----------------------------------|
| Ref. No. | Item |
| X.171 | Coupling Unit |
| X.803 | Armature Assembly |
| X.858A | Disc Centre Wheel—Insulated |
| X.860A | Disc Driving Wheel—Tyred |
| X.896 | Chassis Frame Assembly (Black) |
| X.896A | Chassis Frame Assembly (Red) |
| X.929 | Brush Retaining Arm Assembly |
| X.941 | Motor/Chassis Assembly |
| X.1193 | Wire Assembly |
| S.1070 | Screw—Coupling Unit Assembly |
| S.1180 | Screw—Weight fixing |
| S.2290 | Spur Gear—11 Tooth |
| S.2326 | Axle |
| S.2386 | Disc Driving Wheel—All Metal |
| S.3968 | Gear Retainer |
| S.4352 | Weight—Front |
| S.4353 | Weight—Rear |
| S.5230 | Capacitor |
| S.8313 | Spur Gear—40/10 Tooth |
| S.8318 | Traction Tyre |
| S.8319 | Carbon Brush |
| S.8382 | Brush Spring |
| S.8911 | Buffer—Round Head |
| S.9633 | Spur Gear—33 Tooth |
| S.9654 | Stub Axle |
| Items not illustrated | |
| R.321 | Tender Assembly Complete (Black) |
| R.843 | Tender Assembly Complete (Red) |
| *S.8740 | Tender Body (Black or Red) |

*State colour required

Modifications are made to models from time to time. If a spare part is required which does not coincide with the illustration, a full description should be given and, if necessary, a sketch or sample should accompany the order.