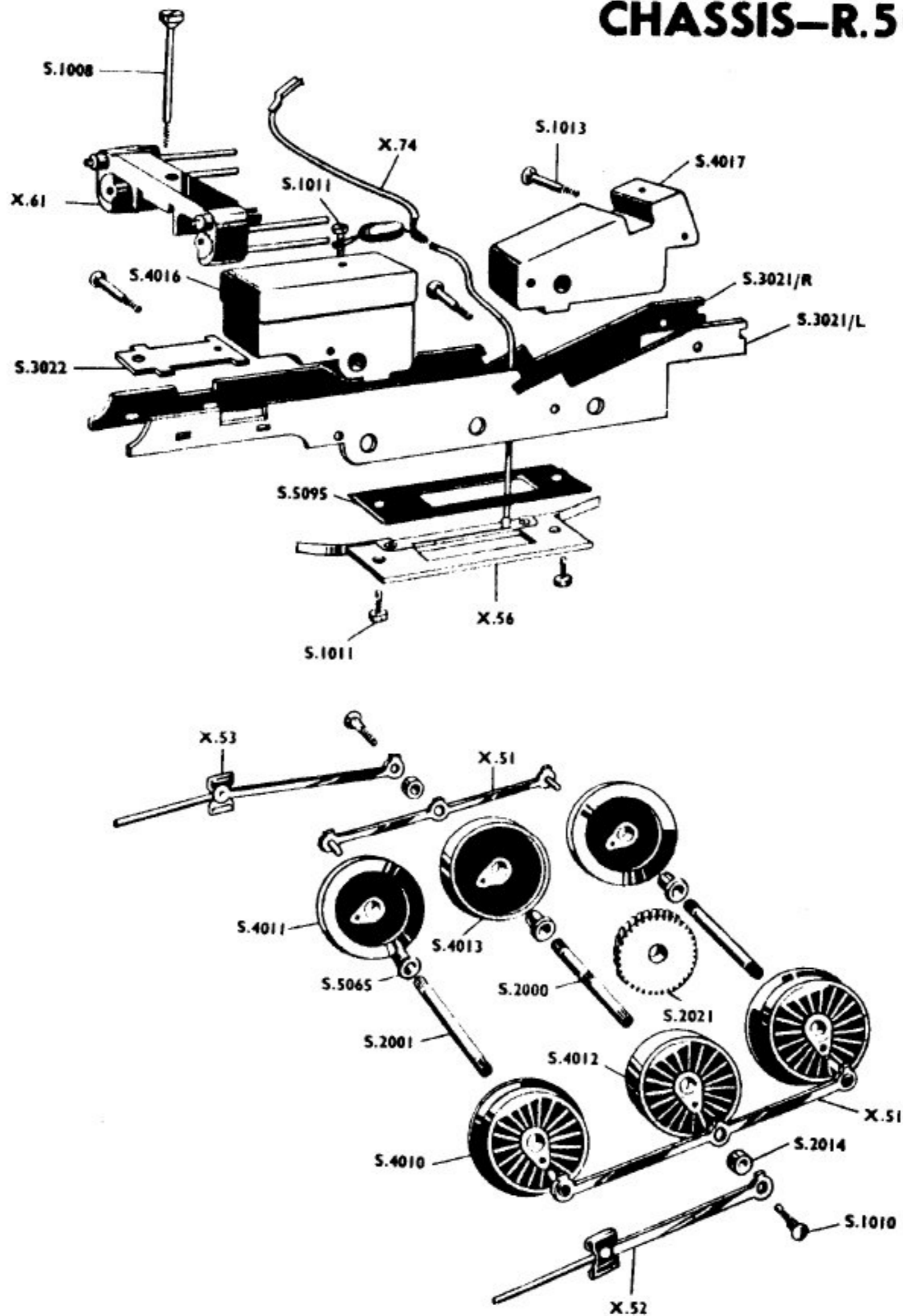


CHASSIS—R.50



S.3021/L Left Main Frame	S.4013 Flangeless Bushed Driving Wheel	S.2014 Distance Piece
S.3021/R Right Main Frame	S.2000 Knurled Driving Axle	X.56 Collector Arm and Fibre with lead
S.4016 Front Weight	S.2001 Plain Driving Axle	S.5095 Collector Insulator
S.4017 Rear Weight	S.5065 Insulating Bush	S.1011 Securing Screw for Collector, Motor and T.V. Suppressor
S.1013 Main Frame Screw	S.2021 Worm Wheel	S.1008 Body/Chassis Securing Screw
S.4010 Flanged Unbushed Driving Wheel	X.51 Left or Right Coupling Rod with pins	X.61 Cylinder Block and Guide Rods
S.4011 Flanged Bushed Driving Wheel	X.52 Left-hand Crosshead Assembly	S.3022 Front Bogie Plate
S.4012 Flangeless Unbushed Driving Wheel	X.53 Right-hand Crosshead Assembly	X.74 T.V. Suppressor with lead and brush tag
	S.1010 Coupling Rod Screw	

For Motor and Bogies see Servicing Sheets Nos. 1 and 5 respectively