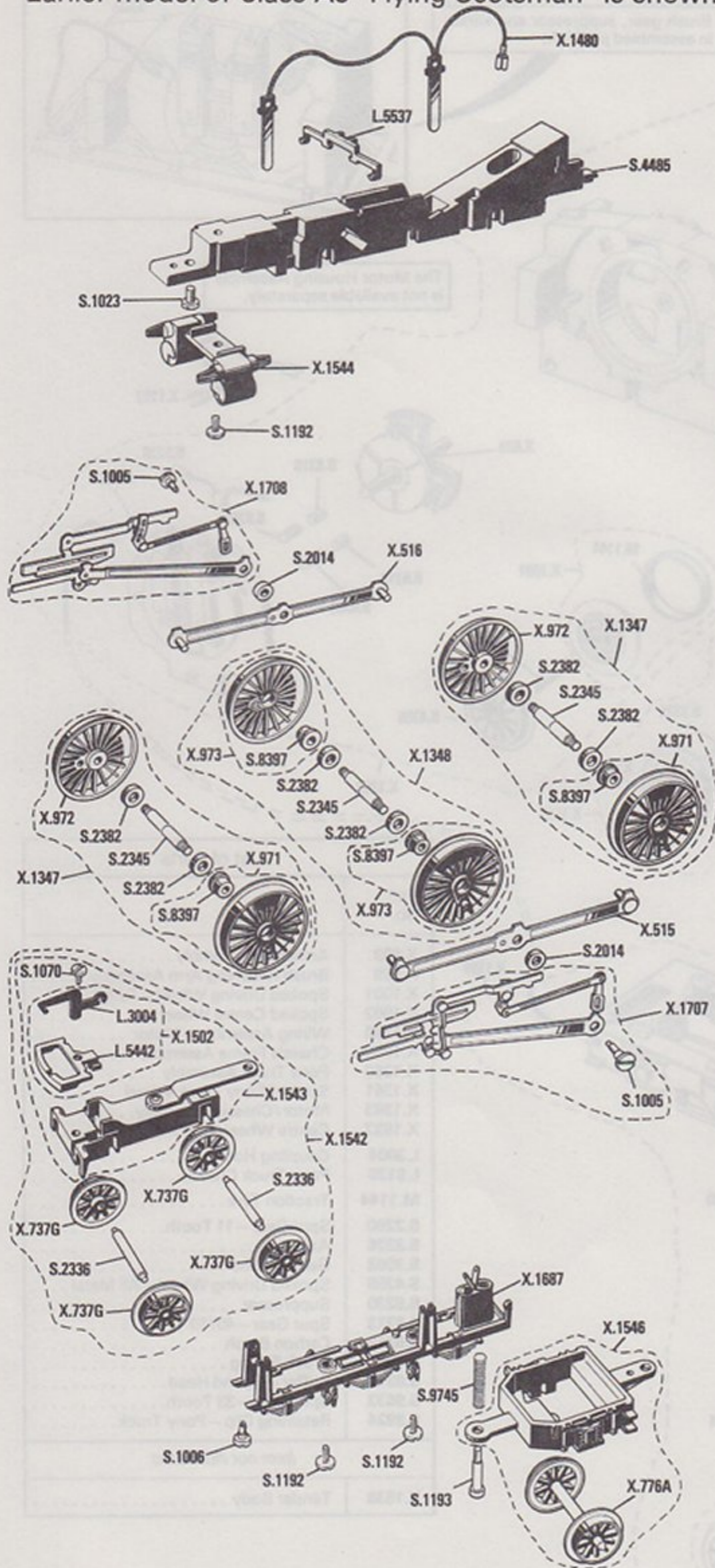


4-6-2 L.N.E.R. LOCOMOTIVE—R.398 "Flying Scotsman" CLASS A1

Most Parts Also Suitable For R.387

Earlier model of Class A3 "Flying Scotsman" is shown on Service Sheet No. 89B



List of Parts	
Ref. No.	Item
X.515	Coupling Rod — L. H
X.516	Coupling Rod — R. H
X.737G	Bogie Wheel
X.776A	Wheel/Axle Assembly
X.971	Driving Wheel — Bushed
X.972	Driving Wheel — Unbushed
X.973	Centre Driving Wheel — Bushed
X.1347	Driving Wheel/Axle Assembly
X.1348	Centre Driving Wheel/Axle Assembly
X.1480	Wiring Harness/Collector Assembly
X.1502	Coupling Unit Assembly
X.1542	Bogie Assembly
X.1543	Bogie Frame Assembly
X.1544	Cylinder Block
X.1546	Pony Truck Assembly
X.1687	Underframe
X.1707	Valve Gear Assembly — L. H.
X.1708	Valve Gear Assembly — R. H.
L.3004	Coupling Hook
L.5442	Coupling Bar
L.5537	Motion Bracket
S.1005	Screw — Valve Gear
S.1006	Screw — Bogie Fixing
S.1023	Screw — Body Fixing
S.1070	Screw — Coupling Unit
S.1192	Screw — Underframe/Cylinder Block Fixing
S.1193	Screw — Pony Truck
S.2014	Distance Piece
S.2336	Axle — Bogie
S.2345	Axle — Driving Wheels
S.2382	Axle Bearing
S.4485	Chassis
S.8397	Insulating Bush
S.9745	Spring — Pony Truck
<i>Items not illustrated</i>	
X.1540	Body Assembly
S.6390	Fireman
S.6391	Driver
S.8784	Vacuum Pipe

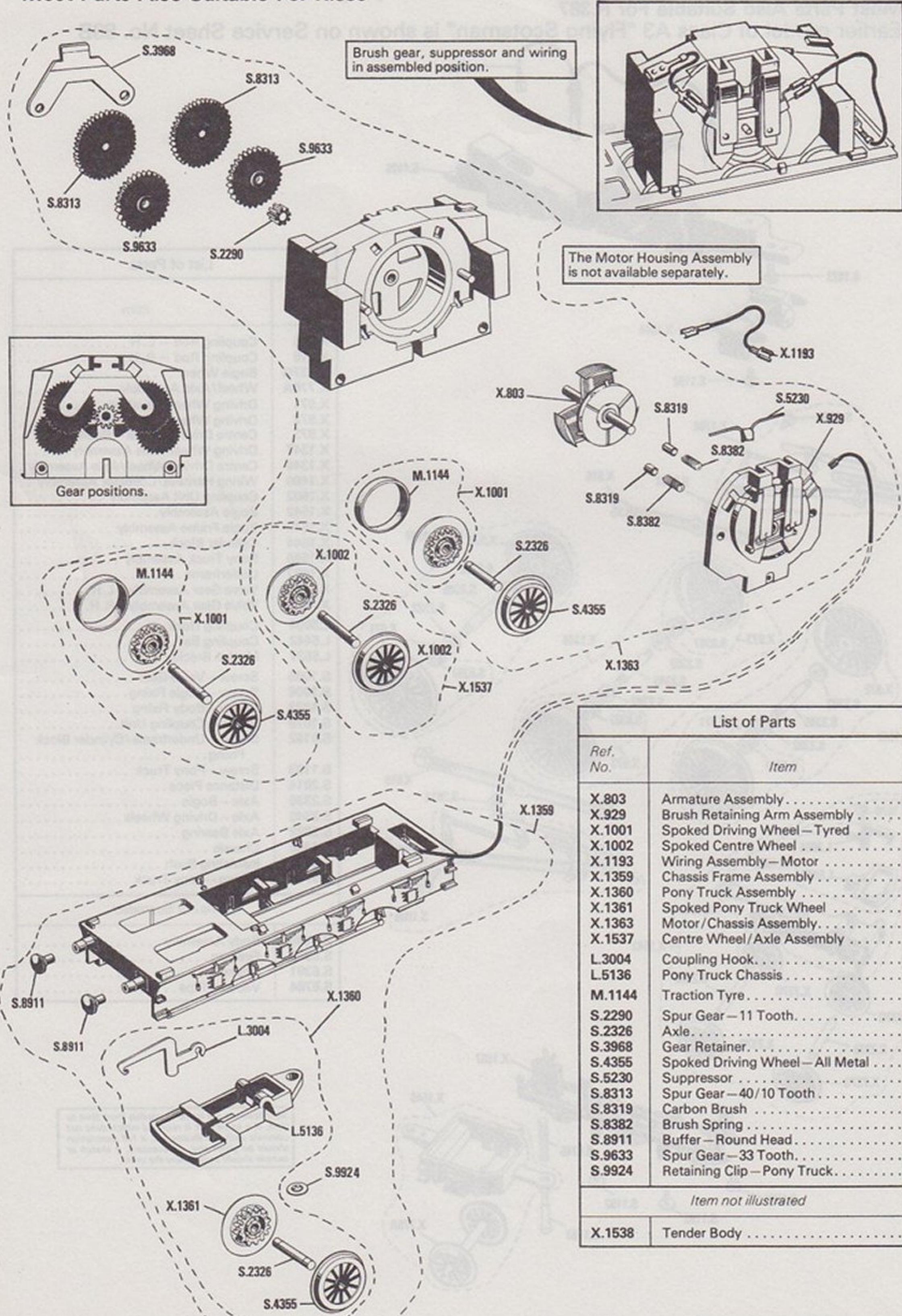
Modifications are made to models from time to time. If a spare part is required which does not coincide with the illustration, a full description should be given and, if necessary, a sketch or sample should accompany the order.

HORNBY HOBBIES Westwood, Margate, Kent, CT9 4JX, England.

SERVICE SHEET No 131
Issued December 1982

R. 399 TENDER for R.398 Locomotive "Flying Scotsman"

Most Parts Also Suitable For R.388



List of Parts	
Ref. No.	Item
X.803	Armature Assembly
X.929	Brush Retaining Arm Assembly
X.1001	Spoked Driving Wheel — Tyred
X.1002	Spoked Centre Wheel
X.1193	Wiring Assembly — Motor
X.1359	Chassis Frame Assembly
X.1360	Pony Truck Assembly
X.1361	Spoked Pony Truck Wheel
X.1363	Motor/Chassis Assembly
X.1537	Centre Wheel/Axle Assembly
L.3004	Coupling Hook
L.5136	Pony Truck Chassis
M.1144	Traction Tyre
S.2290	Spur Gear — 11 Tooth
S.2326	Axle
S.3968	Gear Retainer
S.4355	Spoked Driving Wheel — All Metal
S.5230	Suppressor
S.8313	Spur Gear — 40/10 Tooth
S.8319	Carbon Brush
S.8382	Brush Spring
S.8911	Buffer — Round Head
S.9633	Spur Gear — 33 Tooth
S.9924	Retaining Clip — Pony Truck
<i>Item not illustrated</i>	
X.1538	Tender Body