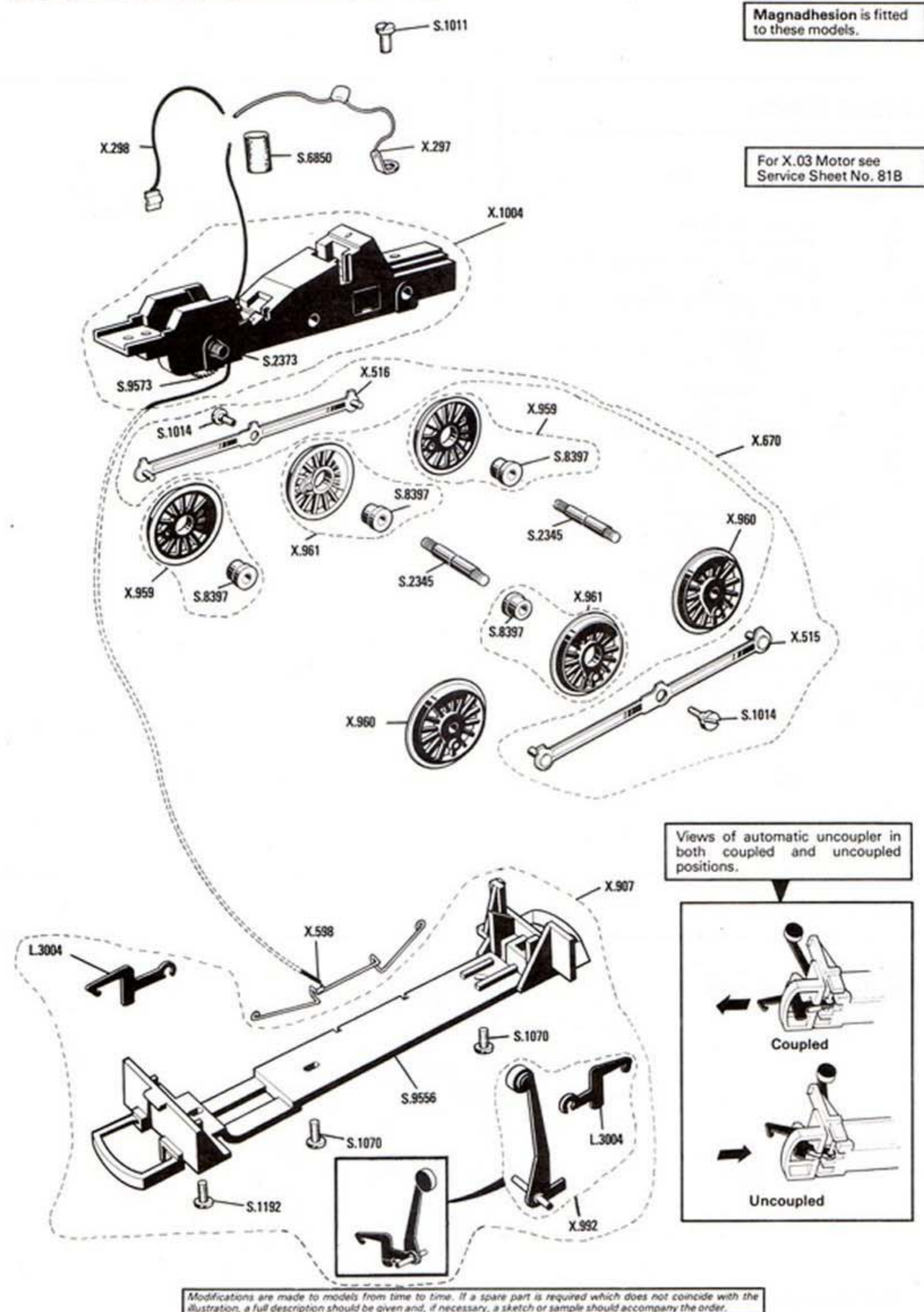


CLASS 08 DIESEL SHUNTING LOCOMOTIVES—R.354, R.780

Most parts also applicable to R.156 & R.165



ROVEX Service Centre

Albert Street, Ramsgate,
Kent, CT11 9HD, England.

SERVICE SHEET No. 114
Issued December 1980

CLASS 08 DIESEL SHUNTING LOCOMOTIVES—R.354, R.780

Most parts also applicable to R.156 & R.165

List of Parts	
Ref. No.	Item
X.297	Suppressor Assembly
X.298	Brush Lead & Clip
X.515	*Coupling Rod—L.H.—Plated (R.354) or Yellow (R.780)
X.516	*Coupling Rod—R.H.—Plated (R.354) or Yellow (R.780)
X.598	Collector Spring and Lead
X.670	*Coupling Rods & Screws—Plated (R.354) or Yellow (R.780)
X.907	Underframe Assembly
X.959	Driving Wheel—Bushed
X.960	Driving Wheel—Unbushed Type
X.961	Driving Wheel—Centre
X.992	Auto-Uncoupler Assembly
X.1004	Chassis Assembly
L.3004	Coupling Hook—Mark 4
S.1011	Screw—Motor/Chassis
S.1014	Screw—Coupling Rod
S.1070	Screw—Underframe/Chassis
S.1192	Screw—Underframe/Chassis
S.2345	Axle, Plain—Rear & Centre
S.2373	Axle, Knurled—Front
S.6850	Insulating Sleeve
S.8397	Insulating Bush
S.9556	Underframe
S.9573	Worm Wheel—28 Tooth
<i>Items not illustrated</i>	
X.03	Motor Assembly
X.1140	Body Assy. Complete—Green (R.354)
X.1528	Body Assy. Complete—Blue (R.780)
S.3263	*Ladder—Black (R.354) or White (R.780) ..
S.8911	Buffer—Round Head

Notes

For lubricating instructions refer to the Hornby Locomotive Operation and Maintenance leaflet.

*When ordering state colour required.

